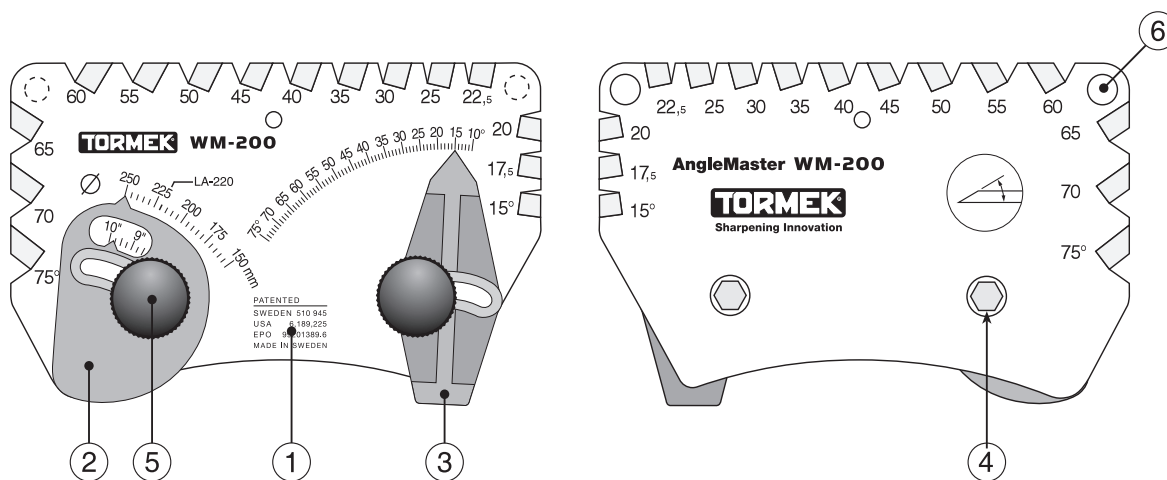


WM-200 AngleMaster



Item no.	Article no.	Denomination	Quantity	Weight/piece	
				g	oz
1		Base	1		
2	3300	Diameter compensator	1	7	0,25
3	3310	Angle setter	1	6	0,21
4	5310	Screw	2	2	0,07
5	7080	Locking screw	2	2	0,07
6	5300	Magnet	2	1	0,04