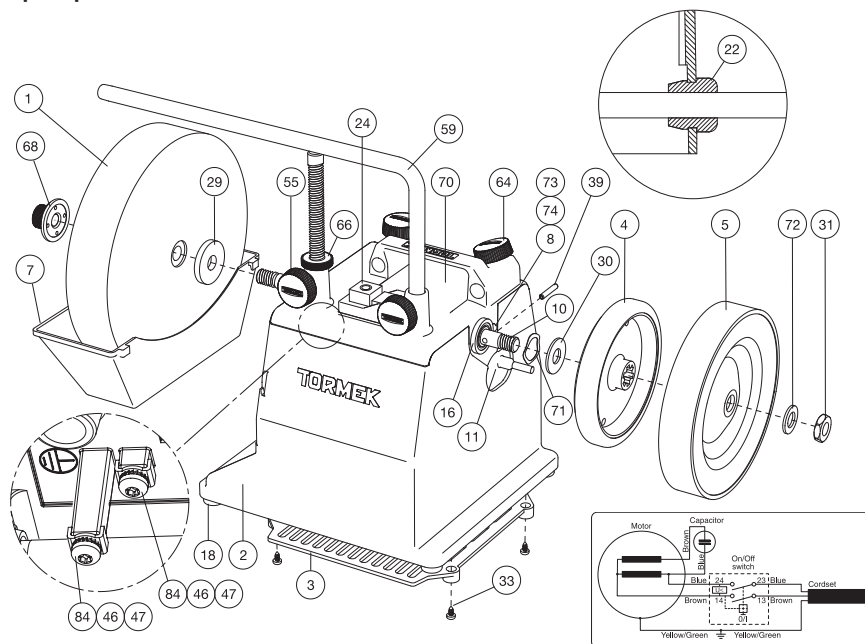


Spare parts list – Tormek T-4



No.	Denomination	Qty	Art.no.	No.	Denomination	Qty	Art.no.
1	Grindstone	1	6016	24	Switch	1	6320 (230V) 6330 (115V)
2	Housing	1	3218 (230V) 3228 (115V)	29	Washer for the stone	1	0190
3	Grating	1	3185	30	Washer for the drive wheel	1	5081
4	Drive wheel with friction ring	1	3208-07 (230V) 3186-07 (115V)	31	Nut. M12 h=4,8	1	1051
5	Honing wheel	1	0591-08	33	Screw for grating	4	5191
7	Water trough	1	3176	39	Locking pin	1	5071
8	Mounting shaft	1	1400	46	Folded washer	2	5001
10	** Main shaft	1	1048	47	Locking washer	2	5021
11	Motor 120 W	1	6168 (230V) 6010 (115V)	55	Locking screw	2	7031
16	Nylon bearing	2	3061	59	Universal Support excl. adjusting nut	1	0260
18	Rubber foot	4	3198	64	Locking screw	2	7120
20	* Machine label	1	7950 (SE/EN) 7955 (DE/FR) 7960 (EN/FR)	66	Adjusting nut with scale	1	1162
21	* Cord set	1	6031 (SE) 6041 (CH) 6043 (US) 6050 (JP) 6053 (GB) 6055 (AU) 6057 (ZA)	68	EzyLock	1	3520
22	Cord set bushing	1	6081 (230V) 6191 (115V)	70	Machine head	1	2430
				71	Wave spring washer	1	5410
				72	Washer for honing wheel	1	5350
				73	* Bushing for mounting shaft	3	3128
				74	* Distance spring for motor	1	0770
				83	* Screw M5x10 for machine head	4	5590
				84	Screw M4x8	2	5600

Weight machine only: 8,0 kg (17,6 lbs)

* Not shown on drawing.

** Available only with MSK-200.